

Zoom lens

Description

This zoom lens is designed for use with a Panasonic's applicable projector. The lens makes it possible to vary the projection distance by changing the focal distance.

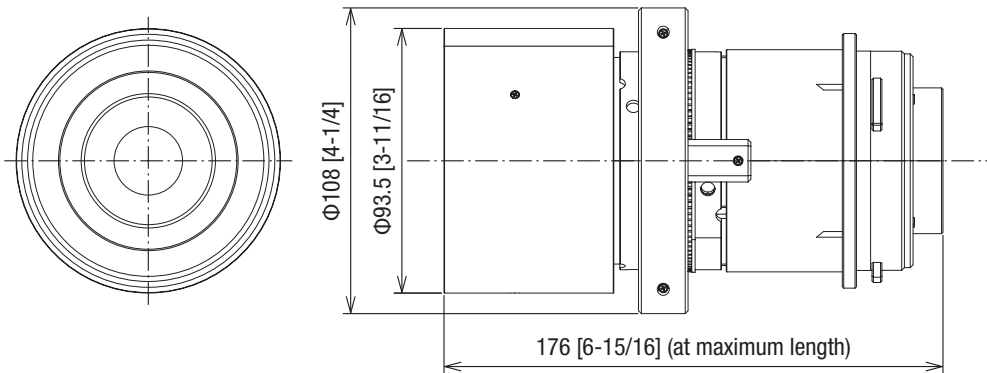
*Please use the lens only on the specified Panasonic projectors.

Specifications (Specifications are subject to change without notice.)

F value	1.7 ~ 2.3	
Focal distance (f)	26.9 mm ~ 45.4 mm	
Throw ratio	WUXGA 1.7 - 2.8:1 for PT-MZ770/MZ670/MZ570/EZ770Z (16:10 aspect ratio) WXGA 1.7 - 2.8:1 for PT-MW730/MW630/MW530/EW730Z (16:10 aspect ratio) XGA 1.7 - 2.8:1 for PT-EX800Z (4:3 aspect ratio)	
Dimensions	Width	108 mm [4-1/4 inch]
	Height	108 mm [4-1/4 inch]
	Depth	176 mm [6-17/32 inch] (at maximum length)
Weight	Approx. 0.9* kg (2.0* lbs)	
Applicable projector	[GROUP A] PT-EZ570 series : PT- EZ570/EZ570L/EW630/EW630L/EX600/EX600L/EW530/EW530L/EX500/EX500L [GROUP B] PT-EZ580 series : PT-EZ580/EZ580L/EW640/EW640L/EX610/EX610L/EW540/EW540L/EX510/EX510L PT-EZ770Z series : PT-EZ770Z/EZ770ZL/EW730Z/EW730ZL/EX800Z/EX800ZL [GROUP C] PT-MZ670series : PT-MZ670/MZ670L/MZ570/MZ570L/MW630/MW630L/MW530/MW530L PT-MZ770series : PT-MZ770/MZ770L/MW730/MW730L PT-MZ880 series : PT-MZ880/MZ780/MZ680 For these projectors see the individual spec files of the projectors.	

* Average value. May dif fer depending on the actual unit.

Dimensions



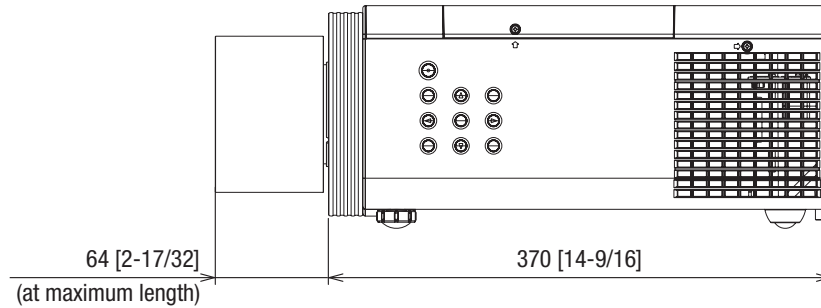
unit : mm [inch]
This illustration is not drawn to scale.

Zoom lens

The illustration shows the lens attached to the projector.

[GROUP A]

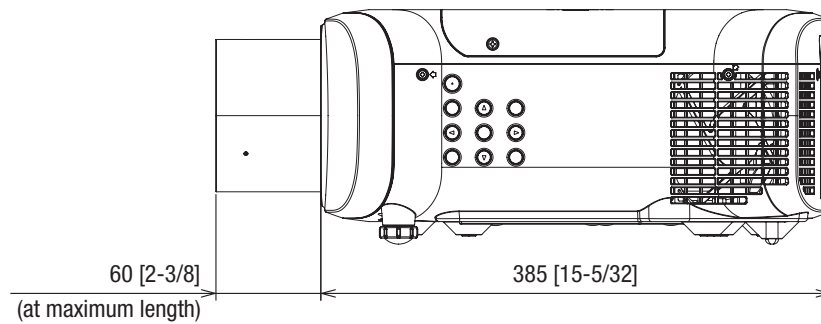
PT-EZ570 series : PT-EZ570/EZ570L/EW630/EW630L/EX600/EX600L/EW530/EW530L/EX500/EX500L



[GROUP B]

PT-EZ580 series: PT-EZ580/EZ580L/EW640/EW640L/EX610/EX610L/EW540/EW540L/EX510/EX510L

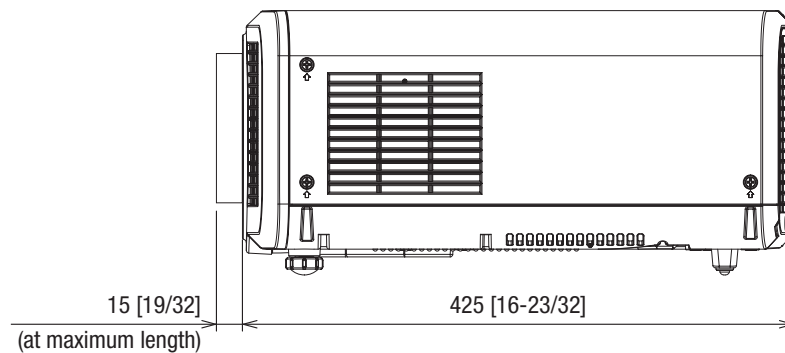
PT-EZ770Z series: PT-EZ770Z/EZ770ZL/EW730Z/EW730ZL/EX800Z/EX800ZL



[GROUP B]

PT-MZ670 series: PT-MZ670/MZ670L/MZ570/MZ570L/MW630/MW630L/MW530/MW530L

PT-MZ770 series: PT-MZ770/MZ770L/MW730/MW730L



unit : mm [inch]
This illustration is not drawn to scale.

Note

- Please read the projector's instruction manual for throw distances.