

Wireless Module

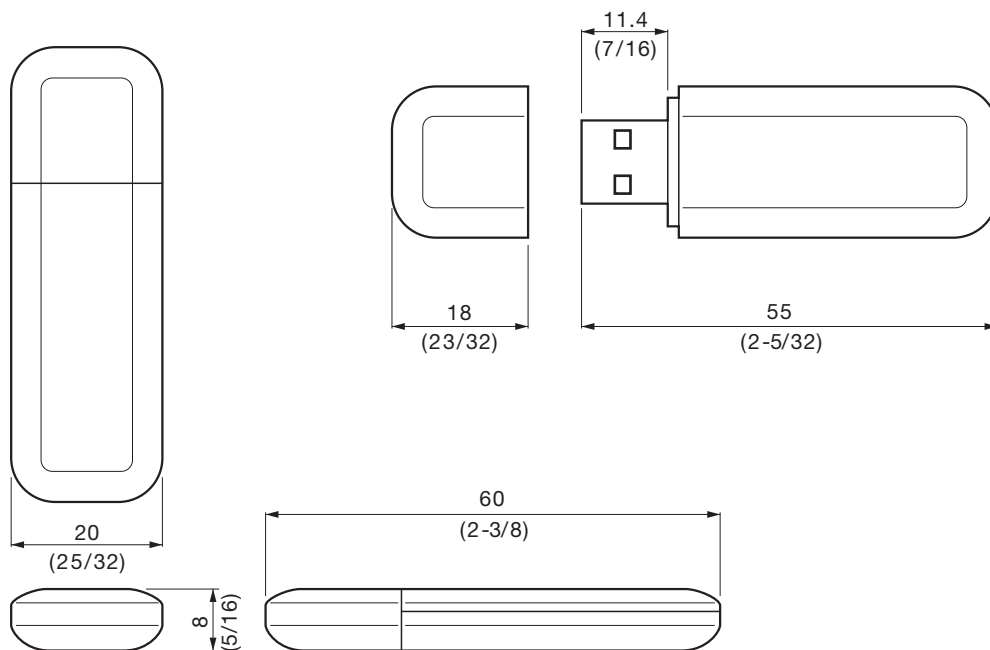
This module is to be mounted onto a PT-LB423 series or other applicable Panasonic projectors when using the wireless function.

Specifications

Power supply:	Supplied from the projector.
Standard:	IEEE 802.11b/g/n
Modulation:	Direct sequence spread spectrum (DSSS) system, Orthogonal frequency division multiplex (OFDM) system
Transmission speed (standard)**:	IEEE 802.11b: Up to 11 Mbps IEEE 802.11g: Up to 54 Mbps IEEE 802.11n: Up to 150 Mbps
Frequency range (channel):	2,412–2,462 MHz (1–11 ch)
Access method:	Access point mode
Security:	WPA2-PSK(AES)
Interface:	USB 2.0 (Cannot be used with any projector other than a Panasonic projector with ET-WML100 compatibility.)
Dimensions (W × H × D):	20 × 8 × 60 mm (25/32" × 5/16" × 2-3/8")
Weight:	Approx. 13 g*(0.5 ozs*)
Applicable projector:	PT-VW360/VX430 LB423/LB412/LB383/LB382/LB353/LB332/LB303 LW373/LW362/LW333/LW312 TW351R/TW343R/TW350/TW342 TX410/TX402/TX320/TX312 EZ590/EW650/EX620/EW550/EX520 FZ570/FW530/FX500 LW375/LW335 LB425/LB385/LB355 TW371R/TW370/TX430/TX340

*1 This is a theoretical speed. The actual transfer speed varies depending on the usage environment and connected devices.
*2 Average value. May differ depending on models.
• Conforms to the environmental conditions of the mounted projector.

Dimensions



unit : mm (inch)
NOTE: This illustration is not drawn to scale.

Weights and dimensions shown are approximate. Specifications subject to change without notice.