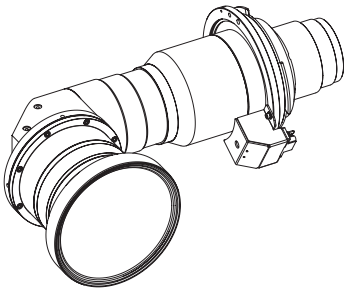


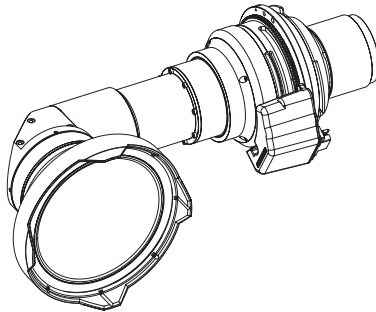
## Operating Instructions

Projection Lens **Commercial Use**

Model No. ET-D3LEU101  
ET-D3LEW201



ET-D3LEU101



ET-D3LEW201

ENGLISH

FRANÇAIS

日本語

### Read before use

This document is intended for the various projection lenses that can be attached to and used in conjunction with Panasonic projectors.

For Model No. and model names, refer to the product list (➔ page 4).

Thank you for purchasing this Panasonic product.

- To ensure correct use of this lens, please read the operating instructions supplied with the lens and the projector carefully.
- **Before using this product, be sure to read “Read this first!” (➔Page 3).**
- Please save this manual for future use.

# Contents

<b>Read this first!</b> .....	<b>3</b>
<b>Before Use</b> .....	<b>4</b>
<b>Preparation</b> .....	<b>5</b>
Before replacing the projection lens .....	5
Attaching and Detaching the Lens .....	5
Peripheral focus adjustment function .....	6
Lens calibration .....	7
<b>Projection relationships</b> .....	<b>10</b>
<b>Lens shift ranges</b> .....	<b>15</b>
<b>Specifications</b> .....	<b>17</b>
<b>Dimensions</b> .....	<b>18</b>
<b>Projected image size and Projection distance</b> .....	<b>Appendix / Annexe / 付録 1</b>
The "Appendix" can be found after the Japanese language section ( <b>日本語</b> ).	

## **WARNING:**

**Do not look at or place your skin into the light emitted from the lens while the projector is being used.**

Doing so can cause burns or loss of sight.

- Strong light is emitted from the projector's lens. Do not look at or place your hands directly into this light.
- Turn off the power when moving away from the projection lens or projector.

**Do not project an image with the lens cover attached.**

- Doing so can cause fire.

## **CAUTION:**

**Before replacing the projection lens, be sure to turn off the power and disconnect the power plug from the wall outlet.**

- Unexpected projection of light may cause injury to eyes.
- Replacing the projection lens without removing the power plug may result in electric shock.

**Do not stand in front of the lens while the projector is being used.**

Doing so can cause damage and burns to clothing.

- Strong light is emitted from the projector's lens.

**Do not place objects in front of the lens while the projector is being used.**

Doing so can cause fire, damage to the object, or malfunction of the lens and projector.

- Strong light is emitted from the projector's lens.

**Do not open the desiccant bag. Do not eat the contents.**

Inadvertently ingesting desiccant could be harmful.

- If the desiccant gets into your eyes or mouth, immediately rinse with plenty of water and seek medical attention.
- Keep desiccant out of the reach of children.

# Before Use

## Product list

The product names and model numbers of the projection lenses covered by this manual are as follows.

Product name	Model number	Description
Fixed-focus lens	ET-D3LEU101	Projection lens equipped with an EEPROM*1.
Zoom lens	ET-D3LEW201	Projection lens equipped with an EEPROM*1 and stepping motor.

\*1 EEPROM: Electrically Erasable Programmable Read-Only Memory

## Projectors supported by each projection lens

ET-D3LEU101:

PT-RQ35K / PT-RZ34K / PT-RQ32K / PT-RZ31K / PT-RS30K / PT-RQ25K /  
PT-RQ18K / PT-RZ24K / PT-RZ17K / PT-RZ14K / PT-RQ22K / PT-RZ21K /  
PT-RS20K / PT-RZ16K / PT-RQ13K / PT-RZ12K / PT-RS11K

ET-D3LEW201:

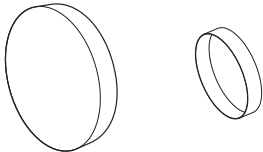
PT-RQ35K / PT-RZ34K / PT-RQ32K / PT-RZ31K / PT-RS30K / PT-RQ25K /  
PT-RQ18K / PT-RZ24K / PT-RZ17K / PT-RZ14K / PT-RQ22K / PT-RZ21K /  
PT-RS20K / PT-RZ16K

## Note

- Some of the alphabet letters at the end of projector model numbers may be omitted in this manual.
- Models other than the above may also be supported. Refer to the operating instructions for your projector or the website (<https://panasonic.net/cns/projector/>).
- If the projector you are using is PT-RQ32K / PT-RZ31K / PT-RS30K / PT-RQ22K / PT-RZ21K / PT-RS20K, you may not be able to use the projection lens depending on main version of the firmware. If main version of the firmware is the version number shown below, update to the latest firmware before use.
  - PT-RQ32K: Earlier than 3.16
  - PT-RZ31K / PT-RS30K: Earlier than 3.09
  - PT-RQ22K: Earlier than 1.05
  - PT-RZ21K / PT-RS20K: Earlier than 2.07For details on the update procedure, refer to the latest firmware information on the website (<https://panasonic.net/cns/projector/pass/>).
- The main version of the firmware can be checked in the [STATUS] screen.

## Supplied Accessories

Make sure that the following has been provided.

Part name	Appearance
Lens cover	 <ul style="list-style-type: none"><li>● The product is delivered with a lens cover attached.</li><li>● The shape and size of the lens caps are different for each product.</li></ul> 1 each for front and rear

# Preparation

## Before replacing the projection lens

Return the projection lens to the home position before replacing or removing it. For details on how to return the lens to the home position, refer to the operating instructions of the projector.

### Attention

- Make sure that the projector power supply is switched off before attaching or detaching the projection lens.
- After removing the projection lens, store it safely away from vibration or impacts.
- Do not touch the electrical contacts of the projection lens with your fingers. Dust and dirt on the contacts may cause contact malfunctions, while static electricity may damage the unit.
- Do not touch the surface of the lens with bare hands. Finger prints and dirt on the surface of the lens will be magnified by the lens and lower the quality of the projected image. Place the supplied lens cover on the zoom lens when the projector is not in use.
- The lens may become damaged by hitting with a hard object or by wiping the front surface of the lens with excessive force. Handle with care.
- Use a clean, soft and dry cloth to wipe away dust and dirt from the projection lens. Do not use fluffy cloths containing oil, water or dust for cleaning. The lens is easily damaged, so do not apply excessive pressure when wiping it.
- Use of the ET-PLF20 lens fixed attachment is recommended.
- The ET-PLF10 lens fixed attachment cannot be used.
- When using the ET-PLF20 lens fixed attachment, it may not be possible to attach the mounting brackets of the attachment without returning the lens to the home position.

## Attaching and Detaching the Lens

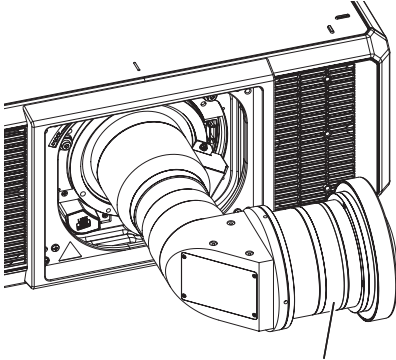
For details on attaching and detaching the projection lens, refer to the operating instructions of the projector.

## Preparation (continued)

### Peripheral focus adjustment function

When you change the size of the projected image, the focal balance between the center and peripheral areas of the screen may shift. This shift in balance tends to increase proportionally with smaller throw ratios.

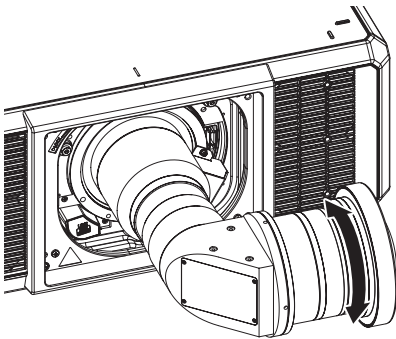
The ET-D3LEU101 / ET-D3LEW201 is equipped with a peripheral focus adjustment function to correct the shift in focal balance between the center and peripheral areas of the screen.



Peripheral focus adjustment ring

The illustrations in this procedure depict attachment of the ET-D3LEU101 onto the PT-RQ25K.

### ■ Adjusting the focus



- 1) Turn the peripheral focus adjustment ring in the direction of the arrow to match the projection distance displayed on the lens to the actual distance from the lens to the screen.
- 2) Operate the projector to align the focus of the center of the projected image.

#### Note

- The projection distances displayed on the lens are approximate guides.
- The lens focus is not stable immediately after powering on due to the affect of heat produced by the light from the light source.  
It is recommended that the focus be adjusted after the image has been projected for approximately 30 minutes.

# Preparation (continued)

## Lens calibration

Perform lens calibration after attaching the lens.

The lens calibration procedure differs depending on the projector you are using and the main version of the firmware.

- **PT-RQ35K / PT-RZ34K / PT-RQ32K / PT-RZ31K / PT-RS30K / PT-RQ25K / PT-RQ18K / PT-RZ24K / PT-RZ17K / PT-RZ14K / PT-RQ22K / PT-RZ21K / PT-RS20K / PT-RZ16K**

Refer to "Case 1" (➡ page 7).

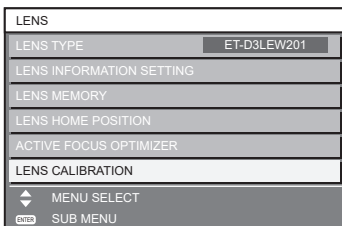
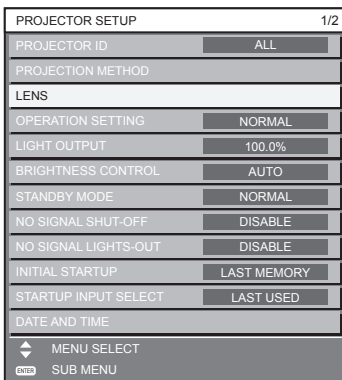
- **PT-RQ13K / PT-RZ12K / PT-RS11K**

Refer to "Case 2" (➡ page 9).

### ■ Case 1

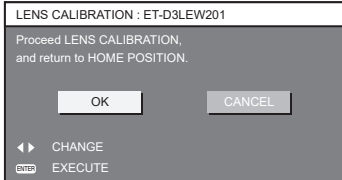
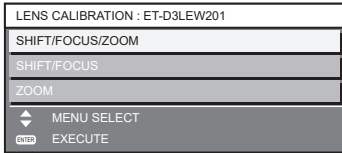
- PT-RQ35K / PT-RZ34K
- PT-RQ25K / PT-RQ18K / PT-RZ24K / PT-RZ17K / PT-RZ14K / PT-RZ16K
- PT-RQ32K (main version of the firmware is 3.16 or later)
- PT-RZ31K / PT-RS30K (main version of the firmware is 3.09 or later)
- PT-RQ22K (main version of the firmware is 1.05 or later)
- PT-RZ21K / PT-RS20K (main version of the firmware is 2.07 or later)

The illustrations in this procedure depict use of the ET-D3LEW201 as an example.



- 1) **Press the <MENU> button.**
- 2) **Use the ▲ and ▼ buttons to select [PROJECTOR SETUP], and press the <ENTER> button.**
  - The [PROJECTOR SETUP] screen appears.
- 3) **Use the ▲ and ▼ buttons to select [LENS], and press the <ENTER> button.**
  - The [LENS] screen appears.
- 4) **Use the ▲ and ▼ buttons to select [LENS CALIBRATION], and press the <ENTER> button.**
  - The [LENS CALIBRATION] screen appears.
  - When the ET-D3LEU101 is attached, a confirmation screen appears when the <ENTER> button is pressed. In such cases, proceed to step 6.

## Preparation (continued)



5) Use the ▲ and ▼ buttons to select [SHIFT/FOCUS/ZOOM], and press the <ENTER> button.

- The confirmation screen appears. (ET-D3LEW201 only)

6) Use the ◀ and ▶ buttons to select [OK], and press the <ENTER> button.

- Lens calibration starts.
- The projection lens moves to the home position after adjustment range calibration is complete.

### Note

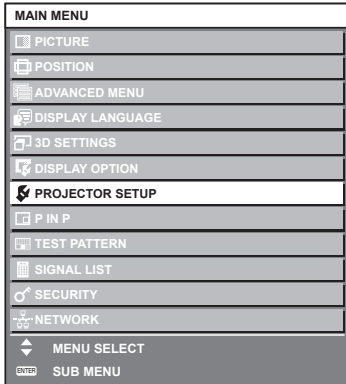
- If lens calibration is not performed, the available zoom range of the ET-D3LEW201 will become narrowed.
- If ET-D3LEU101 is used on the PT-RQ32K / PT-RZ31K / PT-RS30K, part of the image will be obscured when in the home position. Adjust the lens shift within the lens shift range as described on page 15.



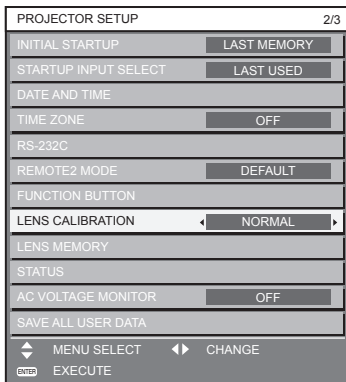
# Preparation (continued)

## Case 2

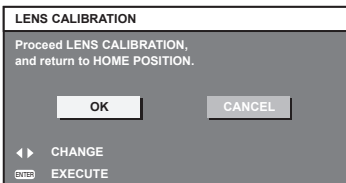
- PT-RQ13K / PT-RZ12K / PT-RS11K



- 1) Press the <MENU> button.
- 2) Use the ▲ and ▼ buttons to select [PROJECTOR SETUP], and press the <ENTER> button.
  - The [PROJECTOR SETUP] screen appears.



- 3) Use the ▲ and ▼ buttons to select [LENS CALIBRATION].
- 4) Use the ◀ and ▶ buttons to select [NORMAL], and press the <ENTER> button.
  - The confirmation screen appears.

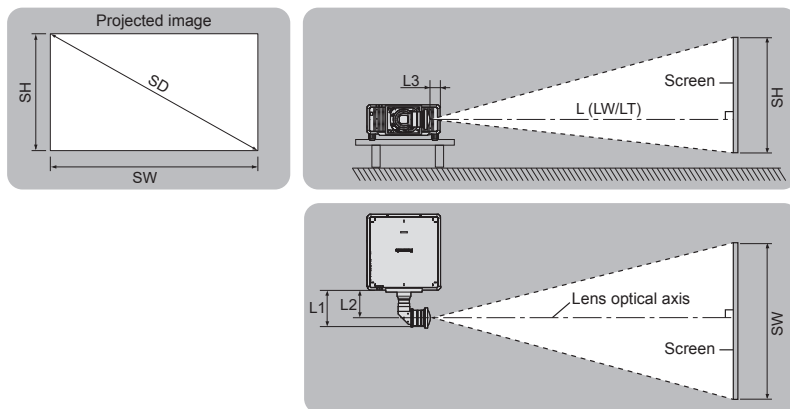


- 5) Use the ◀ and ▶ buttons to select [OK], and press the <ENTER> button.
  - Lens calibration starts.
  - The projection lens moves to the home position after adjustment range calibration is complete.

# Projection relationships

The dimensional relationship between the screen and the projector is shown below.

## Dimensional relationship diagram



### Note

- This diagram assumes that the size and position of the projected image will be adjusted so that the image fills the entire screen.
- This illustration is not drawn to scale.
- The lens optical axis is the symmetrical axis passing through the center of the optical image system. This does not match with the image center position at the home position. The home position is an origin position of the lens shift (vertical position and horizontal position of the lens) based on the calibration result.

L (LW/LT)*1	Projection distance (distance from the front end of the projection lens to the screen)
L1	Lens protrusion dimension (distance from the front surface of the projector to the forward end of the projection lens)
L2	Position of the lens optical axis (distance from the front surface of the projector to the lens optical axis)
L3	Position of the lens apex (distance from the side of the projector to the lens apex)
SH	Projected image height
SW	Projected image width
SD	Projected image size

- \*1 LW: Minimum projection distance when the Zoom Lens is used  
 LT: Maximum projection distance when the Zoom Lens is used

## Projection relationships (continued)

### ● Dimension for L1 (approximate values) (Unit: m)

Projector model	Dimension for L1 (approximate value)	
	ET-D3LEU101	ET-D3LEW201
PT-RQ35K / PT-RZ34K	0.285	0.351
PT-RQ25K / PT-RQ18K / PT-RZ24K / PT-RZ17K / PT-RZ14K	0.286	0.352
PT-RQ32K / PT-RZ31K / PT-RS30K	0.26	0.32
PT-RQ22K / PT-RZ21K / PT-RS20K / PT-RZ16K	0.29	0.35
PT-RQ13K / PT-RZ12K / PT-RS11K		-

### ● Dimension for L2 (approximate values) (Unit: m)

Projector model	Dimension for L2 (approximate value)	
	ET-D3LEU101	ET-D3LEW201
PT-RQ35K / PT-RZ34K	0.209	0.255
PT-RQ25K / PT-RQ18K / PT-RZ24K / PT-RZ17K / PT-RZ14K	0.210	0.255
PT-RQ32K / PT-RZ31K / PT-RS30K	0.18	0.23
PT-RQ22K / PT-RZ21K / PT-RS20K / PT-RZ16K	0.21	0.26
PT-RQ13K / PT-RZ12K / PT-RS11K		-

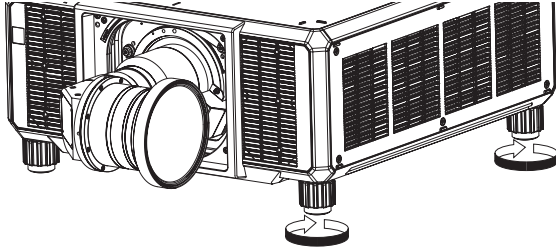
### ● Dimension for L3 (approximate values) (Unit: m)

Projector model	Dimension for L3 (approximate value)	
	ET-D3LEU101	ET-D3LEW201
PT-RQ35K / PT-RZ34K	0.101	0.126
PT-RQ25K / PT-RQ18K / PT-RZ24K / PT-RZ17K / PT-RZ14K	0.077	0.102
PT-RQ32K / PT-RZ31K / PT-RS30K	0.15	0.18
PT-RQ22K / PT-RZ21K / PT-RS20K / PT-RZ16K	0.10	0.13
PT-RQ13K / PT-RZ12K / PT-RS11K	0.09	-

## Projection relationships (continued)

### Note

- The illustrations of projectors in this manual are for informational purposes only and do not represent a specific projector model. Configurations may vary with the model.
- If the screen is tilted downward, extend the adjustable feet on the sides of the projector until the projected image is rectangular.  
If the projector is inclined horizontally, adjust the adjustable feet until the projector is level. You can extend the adjustable feet by turning them as shown in the diagram. To return the feet to the original position, turn them in the opposite direction.



### Attention

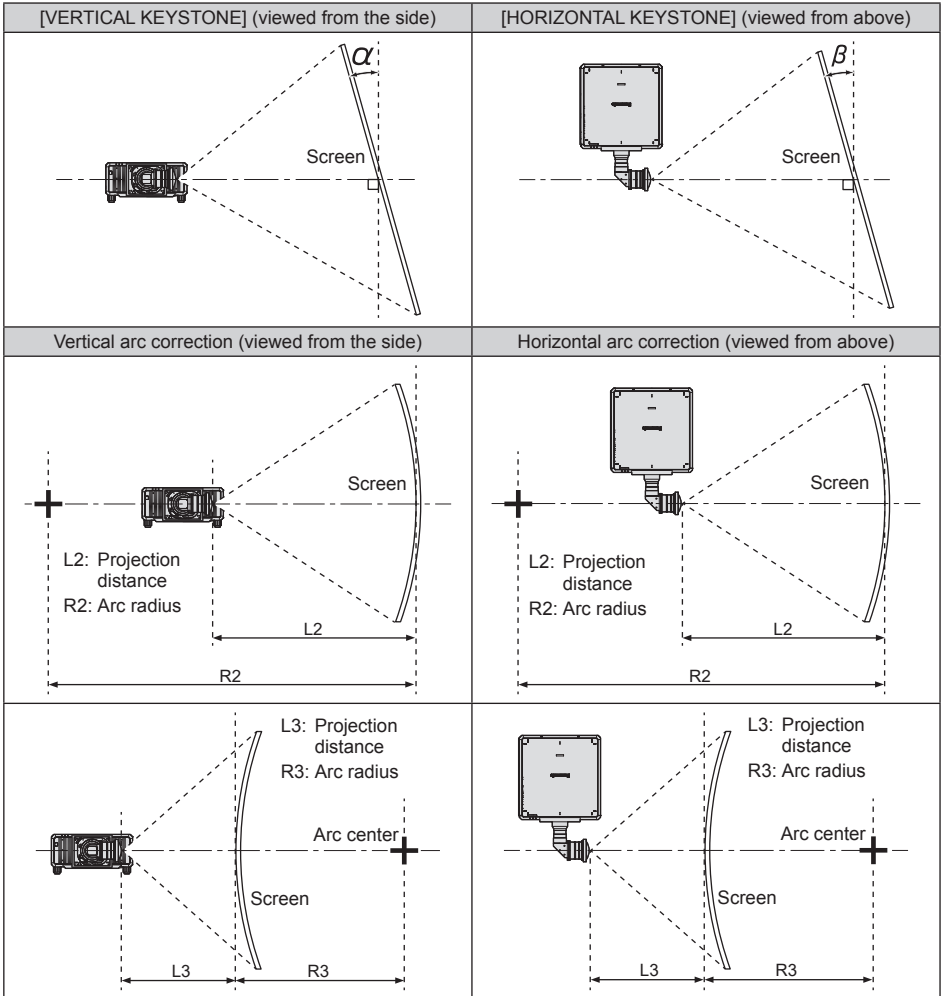
- To prevent obstruction of the intake and exhaust vents, install the projector with a clearance from walls and objects. For details about the required distance from surrounding walls and objects, refer to the operating instructions for your projector.  
If you are installing the projector in a sealed space, be sure to provide additional air conditioning equipment and ventilation equipment. Insufficient ventilation will result in an accumulation of heat and may activate the projector's protection circuit.
- Avoid setting up in places which are subject to sudden temperature changes, such as near an air conditioner or lighting equipment (studio lamps, etc.).

### ■ Dimensional relationship

For details on the projection distance (L), refer to “Projected image size and Projection distance” and “Projection distance formulas” in the Appendix.

# Projection relationships (continued)

## ■ [GEOMETRY] projection range



## Projection relationships (continued)

### ● ET-D3LEU101

Projector model	Only [KEYSTONE] used		[KEYSTONE] and [CURVED CORRECTION] used together				Only [CURVED CORRECTION] used	
	Vertical keystone correction angle $\alpha$ (°)	Horizontal keystone correction angle $\beta$ (°)	Vertical keystone correction angle $\alpha$ (°)	Horizontal keystone correction angle $\beta$ (°)	Min. value of R2/L2	Min. value of R3/L3	Min. value of R2/L2	Min. value of R3/L3
PT-RQ35K / PT-RZ34K / PT-RQ25K / PT-RQ18K / PT-RZ24K / PT-RZ17K / PT-RZ14K / PT-RQ32K / PT-RZ31K / PT-RS30K / PT-RQ22K / PT-RZ21K / PT-RS20K / PT-RZ16K / PT-RQ13K / PT-RZ12K / PT-RS11K	±8	±5	-	-	-	-	-	-

### ● ET-D3LEW201

Projector model	Only [KEYSTONE] used		[KEYSTONE] and [CURVED CORRECTION] used together				Only [CURVED CORRECTION] used	
	Vertical keystone correction angle $\alpha$ (°)	Horizontal keystone correction angle $\beta$ (°)	Vertical keystone correction angle $\alpha$ (°)	Horizontal keystone correction angle $\beta$ (°)	Min. value of R2/L2	Min. value of R3/L3	Min. value of R2/L2	Min. value of R3/L3
PT-RQ35K / PT-RZ34K / PT-RQ25K / PT-RQ18K / PT-RZ24K / PT-RZ17K / PT-RZ14K / PT-RQ32K / PT-RZ31K / PT-RS30K / PT-RQ22K / PT-RZ21K / PT-RS20K / PT-RZ16K	±15	±5	-	-	-	-	-	-

#### Note

- When [GEOMETRY] is used, the focus of the entire screen may be lost as correction increases.
- Make the curved screen a circular arc shape with one part of a perfect circle removed.
- Adjustment range of the [GEOMETRY] items may not match the listed projection range depending on the projection lens. Use this projector within the projection range, otherwise the correction may not work.

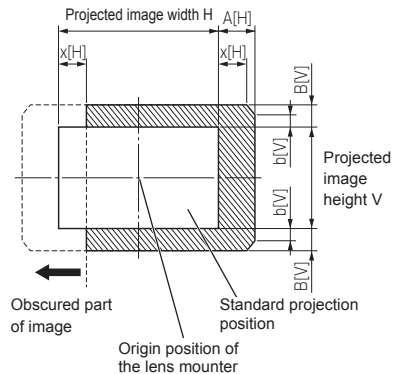
# Lens shift ranges

After moving the lens to the home position according to “Lens calibration” on page 7, you can use the position of the projected image at that position (i.e., the standard projection position) as a basis, and use the lens shift adjustment function on the projector to adjust the position of the projected image within the respective lens shift ranges. Perform lens shift adjustment within the ranges shown in the following illustrations. Moving the lens outside of the adjustment ranges may alter the focus. This occurs due to limitations in lens movement that are intended to protect the optical components. The following illustrations depict lens shift ranges for floor installations of the projector.

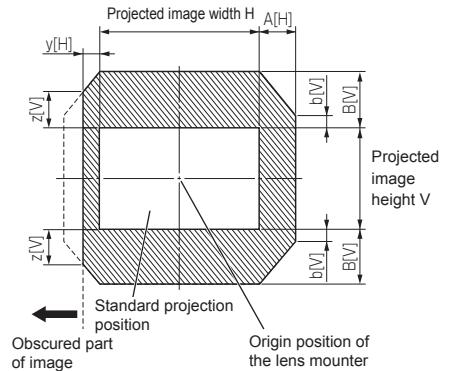
## ● ET-D3LEU101

Projector model	A	B	b	x
PT-RZ31K	0.25	0.24	0.12	0.18
PT-RQ32K	0.29	0.35	0.15	0.15
PT-RS30K	0.3	0.3	0.1	0.15

\* Part of the image will be obscured when in the home position.



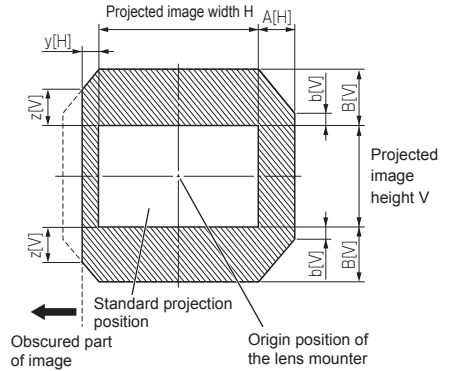
Projector model	A	B	b	y	z
PT-RQ25K	0.30	0.66	0.14	0.25	0.22
PT-RQ18K					
PT-RZ24K					
PT-RZ17K					
PT-RZ14K	0.25	0.55	0.12	0	0.55
PT-RQ35K					
PT-RZ34K					
PT-RZ21K					
PT-RZ16K					
PT-RZ12K	0.29	0.59	0.15	0.05	0.45
PT-RQ22K					
PT-RQ13K					
PT-RS20K					
PT-RS11K					



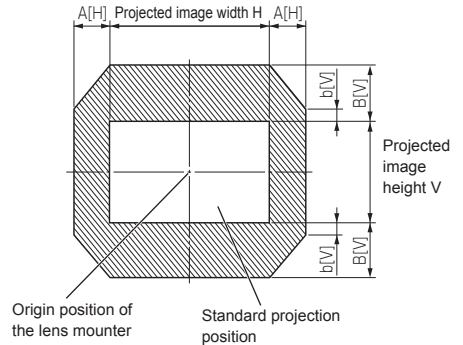
# Lens shift ranges (continued)

## ● ET-D3LEW201

Projector model	A	B	b	y	z
PT-RZ31K	0.15	0.48	0.12	0.05	0.35
PT-RQ32K	0.19	0.56	0.24	0.1	0.39
PT-RS30K	0.18	0.4	0.12	0.14	0.18



Projector model	A	B	b
PT-RQ25K	0.18	0.57	0.14
PT-RQ18K			
PT-RZ24K			
PT-RZ17K			
PT-RZ14K	0.15	0.48	0.12
PT-RQ35K			
PT-RZ34K			
PT-RZ21K			
PT-RZ16K	0.19	0.56	0.24
PT-RQ22K			
PT-RS20K	0.18	0.4	0.12



### Note

- The home position of the projector a point of origin position for the lens shift (i.e., vertical and horizontal positions of the lens) based on the results of lens calibration. It is not the optical center position of the screen.



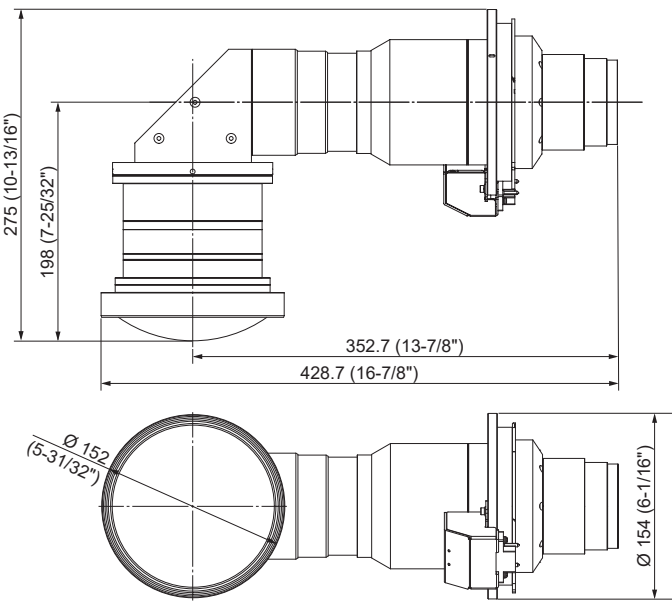
# Specifications

Check the specifications of each projection lens, and use the appropriate lens for your intended use.

Model No.	ET-D3LEU101	ET-D3LEW201	
F number	2.5	2.5	
Focal Length (f)	8.0 mm (5/16")	13.8 mm (17/32") - 18.1 mm (23/32")	
Supported screen size	200" to 600"		
Dimensions	Width	275 mm (10-13/16")	250 mm (9-27/32")
	Height	154 mm (6-1/16")	193 mm (7-19/32")
	Depth	428.7 mm (16-7/8")	495.0 mm (19-1/2")
Net Weight	Approx. 8.0 kg (17.6 lb)	Approx. 9.0 kg (19.8 lb)	

# Dimensions

(Unit: mm)

Model number	Dimensions
ET-D3LEU101	 <p>The technical drawing illustrates the dimensions of the ET-D3LEU101 lens. It includes a side view at the top and a front view at the bottom. The side view shows the lens's profile with the following dimensions: a total height of 275 mm (10-13/16"), a height from the base to the top of the lens body of 198 mm (7-25/32"), a distance from the base to the start of the lens barrel of 352.7 mm (13-7/8"), and a total length of 428.7 mm (16-7/8"). The front view shows the lens's circular face with a diameter of 152 mm (5-31/32") and a diameter of 154 mm (6-1/16") at the rear of the lens barrel.</p>

# Dimensions (continued)

Model number	Dimensions
ET-D3LEW201	<p>The technical drawing illustrates the ET-D3LEW201 component in two views. The side view (top) shows a complex assembly with a flared base and a cylindrical body. Key dimensions include a total height of 250 (9-27/32") and a base height of 173 (6-13/16"). The length of the main cylindrical section is 398.5 (15-11/16"), and the total length of the assembly is 495.0 (19-1/2"). The front view (bottom) shows a circular face with a diameter of <math>\varnothing 193</math> (7-19/32") and a depth of <math>\varnothing 154</math> (6-1/16").</p>

## ■ Indication of the manufacturer and the importer with EU Directive requirements

<p><b>English</b></p>	<p><b>Manufactured by:</b> Panasonic Connect Co., Ltd. 4-1-62 Minoshima, Hakata-ku, Fukuoka 812-8531, Japan <b>Importer:</b> Panasonic Connect Europe GmbH Hagenauer Strasse 43, 65203 Wiesbaden, Germany <b>Authorized Representative in EU:</b> Panasonic Connect Europe GmbH Panasonic Testing Centre Winsbergring 15, 22525 Hamburg, Germany</p>
<p><b>Български</b></p>	<p><b>Производител:</b> Panasonic Connect Co., Ltd. 4-1-62 Minoshima, Hakata-ku, Fukuoka 812-8531, Япония <b>Вносител:</b> Panasonic Connect Europe GmbH Hagenauer Strasse 43, 65203 Wiesbaden, Германия <b>Упълномощен представител в ЕС:</b> Panasonic Connect Europe GmbH Panasonic Testing Centre Winsbergring 15, 22525 Hamburg, Германия</p>
<p><b>Čeština</b></p>	<p><b>Vyrobil:</b> Panasonic Connect Co., Ltd. 4-1-62 Minoshima, Hakata-ku, Fukuoka 812-8531, Japonsko <b>Dovozce:</b> Panasonic Connect Europe GmbH Hagenauer Strasse 43, 65203 Wiesbaden, Německo <b>Oprávněný zástupce v EU:</b> Panasonic Connect Europe GmbH Panasonic Testing Centre Winsbergring 15, 22525 Hamburg, Německo</p>
<p><b>Српски</b></p>	<p><b>Произведен од:</b> Panasonic Connect Co., Ltd. 4-1-62, Minoshima, Hakata-ku, Fukuoka 812-8531, Јапан <b>Увозник:</b> Panasonic Connect Europe GmbH Hagenauer Strasse 43, 65203 Wiesbaden, Немачка <b>Овлашћени представник у ЕУ:</b> Panasonic Connect Europe GmbH Panasonic Testing Centre Winsbergring 15, 22525 Hamburg, Немачка</p>
<p><b>Dansk</b></p>	<p><b>Fremstillet af:</b> Panasonic Connect Co., Ltd. 4-1-62 Minoshima, Hakata-ku, Fukuoka 812-8531, Japan <b>Importer:</b> Panasonic Connect Europe GmbH Hagenauer Strasse 43, 65203 Wiesbaden, Tyskland <b>Autoriseret repræsentant i EU:</b> Panasonic Connect Europe GmbH Panasonic Testing Centre Winsbergring 15, 22525 Hamburg, Tyskland</p>
<p><b>Deutsch</b></p>	<p><b>Hergestellt von:</b> Panasonic Connect Co., Ltd. 4-1-62 Minoshima, Hakata-ku, Fukuoka 812-8531, Japan <b>Importeur:</b> Panasonic Connect Europe GmbH Hagenauer Strasse 43, 65203 Wiesbaden, Deutschland <b>Vertretungsberechtigter in der EU:</b> Panasonic Connect Europe GmbH Panasonic Testing Centre Winsbergring 15, 22525 Hamburg, Deutschland</p>
<p><b>Eesti</b></p>	<p><b>Tootja:</b> Panasonic Connect Co., Ltd. 4-1-62 Minoshima, Hakata-ku, Fukuoka 812-8531, Jaapan <b>Maaletooja:</b> Panasonic Connect Europe GmbH Hagenauer Strasse 43, 65203 Wiesbaden, Saksamaa <b>Volitatud esindaja ELis:</b> Panasonic Connect Europe GmbH Panasonic Testing Centre Winsbergring 15, 22525 Hamburg, Saksamaa</p>

Ελληνικά	<p><b>Κατασκευάστηκε από:</b> Panasonic Connect Co., Ltd. 4-1-62 Minoshima, Hakata-ku, Fukuoka 812-8531, Ιαπωνία</p> <p><b>Εισαγωγέας:</b> Panasonic Connect Europe GmbH Hagenauer Strasse 43, 65203 Wiesbaden, Γερμανία</p> <p><b>Εξουσιοδοτημένος αντιπρόσωπος στην ΕΕ:</b> Panasonic Connect Europe GmbH Panasonic Testing Centre Winsbergring 15, 22525 Hamburg, Γερμανία</p>
Español	<p><b>Fabricado por:</b> Panasonic Connect Co., Ltd. 4-1-62 Minoshima, Hakata-ku, Fukuoka 812-8531, Japón</p> <p><b>Importador:</b> Panasonic Connect Europe GmbH Hagenauer Strasse 43, 65203 Wiesbaden, Alemania</p> <p><b>Representante Autorizado para la UE:</b> Panasonic Connect Europe GmbH Panasonic Testing Centre Winsbergring 15, 22525 Hamburgo, Alemania</p>
Français	<p><b>Fabriqué par :</b> Panasonic Connect Co., Ltd. 4-1-62 Minoshima, Hakata-ku, Fukuoka 812-8531, Japon</p> <p><b>Importateur :</b> Panasonic Connect Europe GmbH Hagenauer Strasse 43, 65203 Wiesbaden, Allemagne</p> <p><b>Représentant autorisé dans l'UE :</b> Panasonic Connect Europe GmbH Panasonic Testing Centre Winsbergring 15, 22525 Hambourg, Allemagne</p>
Hrvatski	<p><b>Proizvodi:</b> Panasonic Connect Co., Ltd. 4-1-62 Minoshima, Hakata-ku, Fukuoka 812-8531, Japan</p> <p><b>Uvoznik:</b> Panasonic Connect Europe GmbH Hagenauer Strasse 43, 65203 Wiesbaden, Njemačka</p> <p><b>Overlaštteni zastupnik u EU-u:</b> Panasonic Connect Europe GmbH Panasonic Testing Centre Winsbergring 15, 22525 Hamburg, Njemačka</p>
Íslenskur	<p><b>Framleitt af:</b> Panasonic Connect Co., Ltd. 4-1-62, Minoshima, Hakata-ku, Fukuoka 812-8531, Japan</p> <p><b>Innflytjandi:</b> Panasonic Connect Europe GmbH Hagenauer Strasse 43, 65203 Wiesbaden, Þýskalandi</p> <p><b>Viðurkenndur fulltrúi í ESB:</b> Panasonic Connect Europe GmbH Panasonic Testing Centre Winsbergring 15, 22525 Hamburg, Þýskalandi</p>
Italiano	<p><b>Fabbricato da:</b> Panasonic Connect Co., Ltd. 4-1-62 Minoshima, Hakata-ku, Fukuoka 812-8531, Giappone</p> <p><b>Importatore:</b> Panasonic Connect Europe GmbH Hagenauer Strasse 43, 65203 Wiesbaden, Germania</p> <p><b>Rappresentante autorizzato nell'UE:</b> Panasonic Connect Europe GmbH Panasonic Testing Centre Winsbergring 15, 22525 Amburgo, Germania</p>
Latviešu	<p><b>Ražotājs:</b> Panasonic Connect Co., Ltd. 4-1-62 Minoshima, Hakata-ku, Fukuoka 812-8531, Japāna</p> <p><b>Importētājs:</b> Panasonic Connect Europe GmbH Hagenauer Strasse 43, 65203 Wiesbaden, Vācija</p> <p><b>Oficiālais pārstāvis ES:</b> Panasonic Connect Europe GmbH Panasonic Testing Centre Winsbergring 15, 22525 Hamburg, Vācija</p>

<b>Lietuvių</b>	<p><b>Gamintojas:</b> Panasonic Connect Co., Ltd. 4-1-62 Minoshima, Hakata-ku, Fukuoka 812-8531, Japonija</p> <p><b>Importuotojas:</b> Panasonic Connect Europe GmbH Hagenauer Strasse 43, 65203 Wiesbaden, Vokietija</p> <p><b>Igaliotasis atstovas ES:</b> Panasonic Connect Europe GmbH Panasonic Testing Centre Winsbergring 15, 22525 Hamburgas, Vokietija</p>
<b>Magyar</b>	<p><b>Gyártotta:</b> Panasonic Connect Co., Ltd. 4-1-62 Minoshima, Hakata-ku, Fukuoka 812-8531, Japán</p> <p><b>Importőr:</b> Panasonic Connect Europe GmbH Hagenauer Strasse 43, 65203 Wiesbaden, Németország</p> <p><b>Hivatalos képviselő az EU-ban:</b> Panasonic Connect Europe GmbH Panasonic Testing Centre Winsbergring 15, 22525 Hamburg, Németország</p>
<b>Nederlands</b>	<p><b>Geproduceerd door:</b> Panasonic Connect Co., Ltd. 4-1-62 Minoshima, Hakata-ku, Fukuoka 812-8531, Japan</p> <p><b>Importeur:</b> Panasonic Connect Europe GmbH Hagenauer Strasse 43, 65203 Wiesbaden, Duitsland</p> <p><b>Bevoegde vertegenwoordiger in de EU:</b> Panasonic Connect Europe GmbH Panasonic Testing Centre Winsbergring 15, 22525 Hamburg, Duitsland</p>
<b>Norsk</b>	<p><b>Produsert av:</b> Panasonic Connect Co., Ltd. 4-1-62 Minoshima, Hakata-ku, Fukuoka 812-8531, Japan</p> <p><b>Importør:</b> Panasonic Connect Europe GmbH Hagenauer Strasse 43, 65203 Wiesbaden, Tyskland</p> <p><b>Autorisert representant i EU:</b> Panasonic Connect Europe GmbH Panasonic Testing Centre Winsbergring 15, 22525 Hamburg, Tyskland</p>
<b>Polski</b>	<p><b>Wyprodukowano przez:</b> Panasonic Connect Co., Ltd. 4-1-62 Minoshima, Hakata-ku, Fukuoka 812-8531, Japonia</p> <p><b>Importer:</b> Panasonic Connect Europe GmbH Hagenauer Strasse 43, 65203 Wiesbaden, Niemcy</p> <p><b>Upoważniony przedstawiciel w UE:</b> Panasonic Connect Europe GmbH Panasonic Testing Centre Winsbergring 15, 22525 Hamburg, Niemcy</p>
<b>Português</b>	<p><b>Fabricado por:</b> Panasonic Connect Co., Ltd. 4-1-62 Minoshima, Hakata-ku, Fukuoka 812-8531, Japão</p> <p><b>Importador:</b> Panasonic Connect Europe GmbH Hagenauer Strasse 43, 65203 Wiesbaden, Alemanha</p> <p><b>Representante Autorizado na UE:</b> Panasonic Connect Europe GmbH Panasonic Testing Centre Winsbergring 15, 22525 Hamburgo, Alemanha</p>
<b>Română</b>	<p><b>Fabricat de:</b> Panasonic Connect Co., Ltd. 4-1-62 Minoshima, Hakata-ku, Fukuoka 812-8531, Japonia</p> <p><b>Importator:</b> Panasonic Connect Europe GmbH Hagenauer Strasse 43, 65203 Wiesbaden, Germania</p> <p><b>Reprezentant autorizat în UE:</b> Panasonic Connect Europe GmbH Panasonic Testing Centre Winsbergring 15, 22525 Hamburg, Germania</p>

Slovenčina	<p><b>Výrobca:</b> Panasonic Connect Co., Ltd. 4-1-62 Minoshima, Hakata-ku, Fukuoka 812-8531, Japonsko</p> <p><b>Dovozca:</b> Panasonic Connect Europe GmbH Hagenauer Strasse 43, 65203 Wiesbaden, Nemecko</p> <p><b>Autorizovaný zástupca v EÚ:</b> Panasonic Connect Europe GmbH Panasonic Testing Centre Winsbergring 15, 22525 Hamburg, Nemecko</p>
Slovenščina	<p><b>Proizvajaja:</b> Panasonic Connect Co., Ltd. 4-1-62 Minoshima, Hakata-ku, Fukuoka 812-8531, Japonska</p> <p><b>Uvoznik:</b> Panasonic Connect Europe GmbH Hagenauer Strasse 43, 65203 Wiesbaden, Nemčija</p> <p><b>Pooblaščenji zastopnik v EU:</b> Panasonic Connect Europe GmbH Panasonic Testing Centre Winsbergring 15, 22525 Hamburg, Nemčija</p>
Suomi	<p><b>Valmistaja:</b> Panasonic Connect Co., Ltd. 4-1-62 Minoshima, Hakata-ku, Fukuoka 812-8531, Japani</p> <p><b>Maahantuoja:</b> Panasonic Connect Europe GmbH Hagenauer Strasse 43, 65203 Wiesbaden, Saksa</p> <p><b>Valtuutettu edustaja EU:ssa:</b> Panasonic Connect Europe GmbH Panasonic Testing Centre Winsbergring 15, 22525 Hampuri, Saksa</p>
Svenska	<p><b>Tillverkad av:</b> Panasonic Connect Co., Ltd. 4-1-62 Minoshima, Hakata-ku, Fukuoka 812-8531, Japan</p> <p><b>Importör:</b> Panasonic Connect Europe GmbH Hagenauer Strasse 43, 65203 Wiesbaden, Tyskland</p> <p><b>Auktoriserad representant i EU:</b> Panasonic Connect Europe GmbH Panasonic Testing Centre Winsbergring 15, 22525 Hamburg, Tyskland</p>
Türkçe	<p><b>Tarafından Üretilmiştir:</b> Panasonic Connect Co., Ltd. 4-1-62 Minoshima, Hakata-ku, Fukuoka 812-8531, Japonya</p> <p><b>İthalatçı:</b> Panasonic Connect Europe GmbH Hagenauer Strasse 43, 65203 Wiesbaden, Almanya</p> <p><b>AB Yetkili Temsilcisi:</b> Panasonic Connect Europe GmbH Panasonic Testing Centre Winsbergring 15, 22525 Hamburg, Almanya</p>

**Manufactured by:** Panasonic Connect Co., Ltd.

4-1-62 Minoshima, Hakata-ku, Fukuoka 812-8531, Japan

**Importer:** Panasonic Connect Europe GmbH

Hagenauer Strasse 43, 65203 Wiesbaden, Germany

**Authorized Representative in EU:** Panasonic Connect Europe GmbH

Panasonic Testing Centre

Winsbergring 15, 22525 Hamburg, Germany

**Importer for UK:**

Panasonic Connect UK,

a branch of Panasonic Connect Europe GmbH,

Maxis 2, Western Road, Bracknell, Berkshire, RG12 1RT



### Disposal of Old Equipment

#### Only for European Union and countries with recycling systems



This symbol on the products, packaging, and/or accompanying documents means that used electrical and electronic products must not be mixed with general household waste. For proper treatment, recovery and recycling of old products, please take them to applicable collection points in accordance with your national legislation.

By disposing of them correctly, you will help to save valuable resources and prevent any potential negative effects on human health and the environment.

For more information about collection and recycling, please contact your local authority.

Penalties may be applicable for incorrect disposal of this waste, in accordance with national legislation.

### Product Information (for Turkey only)

AEEE Yönetmeliğine Uygundur.

### Environment care information for users in China



This symbol is only valid in China.

---

# Panasonic Connect Co., Ltd.

Web Site : <https://panasonic.net/cns/projector/>

© Panasonic Connect Co., Ltd. 2024

---

## Panasonic Connect North America

Two Riverfront Plaza, Newark, NJ 07102

TEL: (877) 803 - 8492

## Panasonic Canada Inc.

5770 Ambler Drive, Mississauga, Ontario L4W 2T3

TEL: (905) 624 - 5010

HS0524AM0 -PS

Printed in Japan



# Appendix / Annexe / 付録

- Projected image size and Projection distance
- Taille de l'image projetée et Distance de projection
- 投写画面サイズと投写距離

## ● ET-D3LEU101

(Unit / Unités / 単位 : m)

When the screen aspect ratio is 16:10  
 Lorsque le rapport d'aspect de l'écran  
 est 16:10  
 アスペクト比 16:10

PT-RQ25K / PT-RQ18K / PT-RZ24K / PT-RZ17K / PT-RZ14K Throw ratio / Rapport de projection / スローレシオ : [0.447:1]	PT-RQ22K / PT-RQ32K / PT-RQ13K Throw ratio / Rapport de projection / スローレシオ : [0.397:1]	PT-RQ35K / PT-RZ34K / PT-RZ21K / PT-RZ16K / PT-RZ31K / PT-RZ12K Throw ratio / Rapport de projection / スローレシオ : [0.370:1]
---	--	---

SD	SH	SW	L	L	L
5.08 (200")	2.692	4.308	1.92	1.71	1.59
6.35 (250")	3.365	5.385	2.42	2.12	2.01
7.62 (300")	4.039	6.462	2.92	2.56	2.42
8.89 (350")	4.712	7.539	3.42	3.11	2.84
10.16 (400")	5.385	8.616	3.91	3.55	3.25
12.70 (500")	6.731	10.770	4.91	4.44	4.08
15.24 (600")	8.077	12.923	5.90	5.33	4.91

(Unit / Unités / 単位 : m)

When the screen aspect ratio is 16:9  
 Lorsque le rapport d'aspect de l'écran  
 est 16:9  
 アスペクト比 16:9

PT-RQ25K / PT-RQ18K / PT-RZ24K / PT-RZ17K / PT-RZ14K Throw ratio / Rapport de projection / スローレシオ : [0.447:1]	PT-RQ22K / PT-RQ32K / PT-RQ13K Throw ratio / Rapport de projection / スローレシオ : [0.398:1]
--	--

SD	SH	SW	L	L
5.08 (200")	2.491	4.428	1.98	1.76
6.35 (250")	3.113	5.535	2.49	2.18
7.62 (300")	3.736	6.641	3.00	2.63
8.89 (350")	4.358	7.748	3.51	3.20
10.16 (400")	4.981	8.855	4.02	3.65
12.70 (500")	6.226	11.069	5.05	4.56
15.24 (600")	7.472	13.283	6.07	5.48

PT-RQ35K / PT-RZ34K / PT-RZ21K / PT-RZ16K / PT-RZ31K / PT-RZ12K Throw ratio / Rapport de projection / スローレシオ : [0.370:1]	PT-RS20K / PT-RS30K / PT-RS11K Throw ratio / Rapport de projection / スローレシオ : [0.402:1]
---	--

SD	SH	SW	L	L
5.08 (200")	2.491	4.428	1.64	1.78
6.35 (250")	3.113	5.535	2.06	2.24
7.62 (300")	3.736	6.641	2.49	2.70
8.89 (350")	4.358	7.748	2.92	3.16
10.16 (400")	4.981	8.855	3.34	3.62
12.70 (500")	6.226	11.069	4.19	4.55
15.24 (600")	7.472	13.283	5.05	5.47

# Appendix / Annexe / 付録 (continued / suite / つづき)

(Unit / Unités / 単位 : m)

When the screen aspect ratio is 4:3  
 Lorsque le rapport d'aspect de l'écran  
 est 4:3  
 アスペクト比 4:3

			PT-RQ25K / PT-RQ18K / PT-RZ24K / PT-RZ17K / PT-RZ14K Throw ratio / Rapport de projection / スローレシオ : [0.538:1]	PT-RQ22K / PT-RQ32K / PT-RQ13K Throw ratio / Rapport de projection / スローレシオ : [0.479:1]
SD	SH	SW	L	L
5.08 (200")	3.048	4.064	2.19	1.94
6.35 (250")	3.810	5.080	2.75	2.45
7.62 (300")	4.572	6.096	3.31	2.95
8.89 (350")	5.334	7.112	3.88	3.45
10.16 (400")	6.096	8.128	4.44	3.96
12.70 (500")	7.620	10.160	5.56	4.96
15.24 (600")	9.144	12.192	6.69	5.97
			PT-RQ35K / PT-RZ34K / PT-RZ21K / PT-RZ16K / PT-RZ31K / PT-RZ12K Throw ratio / Rapport de projection / スローレシオ : [0.446:1]	PT-RS20K / PT-RS30K / PT-RS11K Throw ratio / Rapport de projection / スローレシオ : [0.401:1]
SD	SH	SW	L	L
5.08 (200")	3.048	4.064	1.81	1.63
6.35 (250")	3.810	5.080	2.28	2.05
7.62 (300")	4.572	6.096	2.75	2.47
8.89 (350")	5.334	7.112	3.22	2.90
10.16 (400")	6.096	8.128	3.69	3.32
12.70 (500")	7.620	10.160	4.63	4.17
15.24 (600")	9.144	12.192	5.56	5.01

# Appendix / Annexe / 付録 (continued / suite / つづき)

## ● ET-D3LEW201

(Unit / Unités / 単位 : m)

When the screen aspect ratio is 16:10  
Lorsque le rapport d'aspect de l'écran  
est 16:10  
アスペクト比 16:10

			PT-RQ25K / PT-RQ18K / PT-RZ24K / PT-RZ17K / PT-RZ14K Throw ratio / Rapport de projection / スローレシオ : [0.779 - 1.02:1]		PT-RQ22K / PT-RQ32K Throw ratio / Rapport de projection / スローレシオ : [0.693 - 0.913:1]		PT-RQ35K / PT-RZ34K / PT-RZ21K / PT-RZ16K / PT-RZ31K Throw ratio / Rapport de projection / スローレシオ : [0.645 - 0.850:1]	
SD	SH	SW	LW	LT	LW	LT	LW	LT
5.08 (200")	2.692	4.308	3.35	4.42	2.98	3.93	2.78	3.66
6.35 (250")	3.365	5.385	4.22	5.55	3.75	4.94	3.50	4.61
7.62 (300")	4.039	6.462	5.08	6.68	4.53	5.95	4.22	5.55
8.89 (350")	4.712	7.539	5.94	7.81	5.30	6.96	4.94	6.49
10.16 (400")	5.385	8.616	6.81	8.95	6.07	7.98	5.66	7.44
12.70 (500")	6.731	10.770	8.53	11.21	7.61	10.00	7.09	9.32
15.24 (600")	8.077	12.923	10.26	13.47	9.15	12.02	8.53	11.21

(Unit / Unités / 単位 : m)

When the screen aspect ratio is 16:9  
Lorsque le rapport d'aspect de l'écran  
est 16:9  
アスペクト比 16:9

			PT-RQ25K / PT-RQ18K / PT-RZ24K / PT-RZ17K / PT-RZ14K Throw ratio / Rapport de projection / スローレシオ : [0.780 - 1.02:1]		PT-RQ22K / PT-RQ32K Throw ratio / Rapport de projection / スローレシオ : [0.694 - 0.913:1]	
SD	SH	SW	LW	LT	LW	LT
5.08 (200")	2.491	4.428	3.45	4.54	3.07	4.05
6.35 (250")	3.113	5.535	4.34	5.71	3.86	5.08
7.62 (300")	3.736	6.641	5.22	6.87	4.65	6.12
8.89 (350")	4.358	7.748	6.11	8.03	5.45	7.16
10.16 (400")	4.981	8.855	7.00	9.20	6.24	8.20
12.70 (500")	6.226	11.069	8.77	11.52	7.82	10.28
15.24 (600")	7.472	13.283	10.55	13.85	9.41	12.35

			PT-RQ35K / PT-RZ34K / PT-RZ21K / PT-RZ16K / PT-RZ31K Throw ratio / Rapport de projection / スローレシオ : [0.646 - 0.851:1]		PT-RS20K / PT-RS30K Throw ratio / Rapport de projection / スローレシオ : [0.701 - 0.923:1]	
SD	SH	SW	LW	LT	LW	LT
5.08 (200")	2.491	4.428	2.86	3.77	3.10	4.09
6.35 (250")	3.113	5.535	3.60	4.74	3.90	5.14
7.62 (300")	3.736	6.641	4.34	5.71	4.70	6.19
8.89 (350")	4.358	7.748	5.08	6.68	5.50	7.24
10.16 (400")	4.981	8.855	5.82	7.65	6.30	8.29
12.70 (500")	6.226	11.069	7.29	9.58	7.91	10.38
15.24 (600")	7.472	13.283	8.77	11.52	9.51	12.48

# Appendix / Annexe / 付録 (continued / suite / つづき)

(Unit / Unités / 単位 : m)

When the screen aspect ratio is 4:3  
 Lorsque le rapport d'aspect de l'écran  
 est 4:3  
 アスペクト比 4:3

			PT-RQ25K / PT-RQ18K / PT-RZ24K / PT-RZ17K / PT-RZ14K Throw ratio / Rapport de projection / スローレシオ : [0.938 - 1.23:1]		PT-RQ22K / PT-RQ32K Throw ratio / Rapport de projection / スローレシオ : [0.835 - 1.09:1]	
SD	SH	SW	LW	LT	LW	LT
5.08 (200")	3.048	4.064	3.81	5.02	3.39	4.47
6.35 (250")	3.810	5.080	4.79	6.30	4.26	5.61
7.62 (300")	4.572	6.096	5.76	7.58	5.14	6.76
8.89 (350")	5.334	7.112	6.74	8.86	6.01	7.90
10.16 (400")	6.096	8.128	7.72	10.14	6.88	9.04
12.70 (500")	7.620	10.160	9.67	12.70	8.63	11.33
15.24 (600")	9.144	12.192	11.63	15.27	10.37	13.62

			PT-RQ35K / PT-RZ34K / PT-RZ21K / PT-RZ16K / PT-RZ31K Throw ratio / Rapport de projection / スローレシオ : [0.778 - 1.02:1]		PT-RS20K / PT-RS30K Throw ratio / Rapport de projection / スローレシオ : [0.699 - 0.921:1]	
SD	SH	SW	LW	LT	LW	LT
5.08 (200")	3.048	4.064	3.16	4.16	2.84	3.75
6.35 (250")	3.810	5.080	3.97	5.23	3.57	4.82
7.62 (300")	4.572	6.096	4.79	6.30	4.31	5.78
8.89 (350")	5.334	7.112	5.60	7.37	5.04	6.74
10.16 (400")	6.096	8.128	6.42	8.43	5.78	7.71
12.70 (500")	7.620	10.160	8.05	10.57	7.25	9.63
15.24 (600")	9.144	12.192	9.67	12.70	8.72	11.39

### Note

- A  $\pm 5$  % error in listed projection distances may occur.  
In addition, when [KEYSTONE] is used, distance is corrected to become smaller than the specified screen size.
- The throw ratio is based on the value during projection with the projected image size of 5.08 m (200").
- The periods used in the numbers in the tables are decimal points.

### Remarque

- Une erreur de  $\pm 5$  % dans des distances de projection énumérées peut se produire.  
En outre, lorsque [CORRECTION DE TRAPÈZE] est utilisé, la distance est corrigée pour devenir inférieure à la taille d'écran spécifiée.
- Le rapport de projection est basé sur la valeur en cours de projection avec une taille de l'image projetée de 5,08 m (200").
- Les points utilisés dans les nombres dans les tableaux sont des points décimaux.

### お知らせ

- 記載の投写距離は $\pm 5\%$ 以下の範囲内で誤差が発生します。  
また、[台形補正] 使用時は、所定の画面サイズよりも小さくなる方向で補正されます。
- スローレシオは、投写画面サイズ 200 型投写時の値を基準にしています。

Setting-up dimensions which are not given in the above table can be calculated using the formulas below. Check the projected image size SD (m) and use the following formula to determine projection distance (L).

La configuration des dimensions qui ne sont pas données dans le tableau ci-dessus peut être calculée à l'aide des formules suivantes. Vérifiez la taille de l'image projetée SD (m) et utilisez la formule suivante pour déterminer la distance de projection (L).

上記の表以外の投写寸法は次の計算式で求めることができます。画面対角サイズ SD (m) をご確認のうえ、それぞれの計算式で投写距離 (L) を求めてください。

# Appendix / Annexe / 付録 (continued / suite / つづき)

- Projection distance formulas
- Formules de distance de projection
- 投写距離計算式

The dimensions of the following table contain a slight error.

Periods are used to represent decimal points in the calculation formulas in the following table.

Les dimensions du tableau suivant peuvent présenter un léger écart.

Les points sont utilisés pour indiquer les décimales dans les formules de calcul dans le tableau suivant.

次の表内の寸法は若干の誤差があります。

## ● ET-D3LEU101

(Unit / Unités / 単位 : m)

		L
PT-RQ25K / PT-RQ18K / PT-RZ24K / PT-RZ17K / PT-RZ14K	When the screen aspect ratio is 16:10 Lorsque le rapport d'aspect de l'écran est 16:10 アスペクト比 16:10 のとき	=0.3917 × SD-0.0664
	When the screen aspect ratio is 16:9 Lorsque le rapport d'aspect de l'écran est 16:9 アスペクト比 16:9 のとき	=0.4025 × SD-0.0664
	When the screen aspect ratio is 4:3 Lorsque le rapport d'aspect de l'écran est 4:3 アスペクト比 4:3 のとき	=0.4434 × SD-0.0664
PT-RQ22K / PT-RQ32K / PT-RQ13K	When the screen aspect ratio is 16:10 Lorsque le rapport d'aspect de l'écran est 16:10 アスペクト比 16:10 のとき	=0.3497 × SD-0.0664
	When the screen aspect ratio is 16:9 Lorsque le rapport d'aspect de l'écran est 16:9 アスペクト比 16:9 のとき	=0.3594 × SD-0.0664
	When the screen aspect ratio is 4:3 Lorsque le rapport d'aspect de l'écran est 4:3 アスペクト比 4:3 のとき	=0.3959 × SD-0.0664
PT-RQ35K / PT-RZ34K / PT-RZ21K / PT-RZ16K / PT-RZ31K / PT-RZ12K	When the screen aspect ratio is 16:10 Lorsque le rapport d'aspect de l'écran est 16:10 アスペクト比 16:10 のとき	=0.3264 × SD-0.0664
	When the screen aspect ratio is 16:9 Lorsque le rapport d'aspect de l'écran est 16:9 アスペクト比 16:9 のとき	=0.3355 × SD-0.0664
	When the screen aspect ratio is 4:3 Lorsque le rapport d'aspect de l'écran est 4:3 アスペクト比 4:3 のとき	=0.3695 × SD-0.0664
PT-RS20K / PT-RS30K / PT-RS11K	When the screen aspect ratio is 16:9 Lorsque le rapport d'aspect de l'écran est 16:9 アスペクト比 16:9 のとき	=0.3631 × SD-0.0664
	When the screen aspect ratio is 4:3 Lorsque le rapport d'aspect de l'écran est 4:3 アスペクト比 4:3 のとき	=0.3334 × SD-0.0664

# Appendix / Annexe / 付録 (continued / suite / つづき)

● ET-D3LEW201

(Unit / Unités / 単位 : m)

		L	
		LW	LT
PT-RQ25K / PT-RQ18K / PT-RZ24K / PT-RZ17K / PT-RZ14K /	When the screen aspect ratio is 16:10 Lorsque le rapport d'aspect de l'écran est 16:10 アスペクト比 16:10 のとき	=0.6798 × SD-0.1001	=0.8910 × SD-0.1076
	When the screen aspect ratio is 16:9 Lorsque le rapport d'aspect de l'écran est 16:9 アスペクト比 16:9 のとき	=0.6987 × SD-0.1001	=0.9158 × SD-0.1076
	When the screen aspect ratio is 4:3 Lorsque le rapport d'aspect de l'écran est 4:3 アスペクト比 4:3 のとき	=0.7696 × SD-0.1001	=1.0087 × SD-0.1076
PT-RQ22K / PT-RQ32K	When the screen aspect ratio is 16:10 Lorsque le rapport d'aspect de l'écran est 16:10 アスペクト比 16:10 のとき	=0.6070 × SD-0.1001	=0.7956 × SD-0.1076
	When the screen aspect ratio is 16:9 Lorsque le rapport d'aspect de l'écran est 16:9 アスペクト比 16:9 のとき	=0.6239 × SD-0.1001	=0.8177 × SD-0.1076
	When the screen aspect ratio is 4:3 Lorsque le rapport d'aspect de l'écran est 4:3 アスペクト比 4:3 のとき	=0.6872 × SD-0.1001	=0.9007 × SD-0.1076
PT-RQ35K / PT-RZ34K / PT-RZ21K / PT-RZ16K / PT-RZ31K	When the screen aspect ratio is 16:10 Lorsque le rapport d'aspect de l'écran est 16:10 アスペクト比 16:10 のとき	=0.5665 × SD-0.1001	=0.7425 × SD-0.1076
	When the screen aspect ratio is 16:9 Lorsque le rapport d'aspect de l'écran est 16:9 アスペクト比 16:9 のとき	=0.5823 × SD-0.1001	=0.7632 × SD-0.1076
	When the screen aspect ratio is 4:3 Lorsque le rapport d'aspect de l'écran est 4:3 アスペクト比 4:3 のとき	=0.6414 × SD-0.1001	=0.8406 × SD-0.1076
PT-RS20K / PT-RS30K	When the screen aspect ratio is 16:9 Lorsque le rapport d'aspect de l'écran est 16:9 アスペクト比 16:9 のとき	=0.6303 × SD-0.1001	=0.8262 × SD-0.1076
	When the screen aspect ratio is 4:3 Lorsque le rapport d'aspect de l'écran est 4:3 アスペクト比 4:3 のとき	=0.5787 × SD-0.1001	=0.7584 × SD-0.1076

---

# Panasonic Connect Co., Ltd.

Web Site : <https://panasonic.net/cns/projector/>

---

## **Panasonic Connect North America**

Two Riverfront Plaza, Newark, NJ 07102

TEL: (877) 803 - 8492

## **Panasonic Canada Inc.**

5770 Ambler Drive, Mississauga, Ontario L4W 2T3

TEL: (905) 624 - 5010

---

## **パナソニック コネクト株式会社**

〒 571-8503 大阪府門真市松葉町 2 番 15 号 電話 ☎ 0120-872-601