

This module is to be mounted onto compatible Panasonic projectors when using the wireless function.

Specifications

Power supply:	Supplied from the projector
Standards:	IEEE 802.11a/b/g/n
Modulation:	Direct sequence spread spectrum (DSSS) system, Orthogonal frequency division multiplex (OFDM) system
Modulation Techniques	DBPSK, DQPSK, CCK, BPSK, QPSK, 16QAM, 64QAM, MIMO
Transmission speed (standard)*1 :	IEEE 802.11b: Up to 11 Mbps IEEE 802.11g/a: Up to 54 Mbps IEEE 802.11n: Up to 300 Mbps
Access method:	Infrastructure Mode
Interface:	Mini USB 2.0 (Cannot be used with any projector other than a Panasonic projector with ET-WM300 compatibility.)
Dimensions (W x H x D):	102 x 8 x 31 mm (4-1/32" x 5/16" x 1-7/32")
Weight:	Approx. 13.5 g*2 (0.5 ozs)
Compatible Model Number	PT-MZ770/MZ770L/MZ670/MZ670L/MZ570/MZ570L/ MW730/MW730L/MW630/MW630L/MW530/MW530L

*1 This is a theoretical speed. The actual transfer speed varies depending on the usage environment and connected devices.

*2 Average value. May differ depending on models.

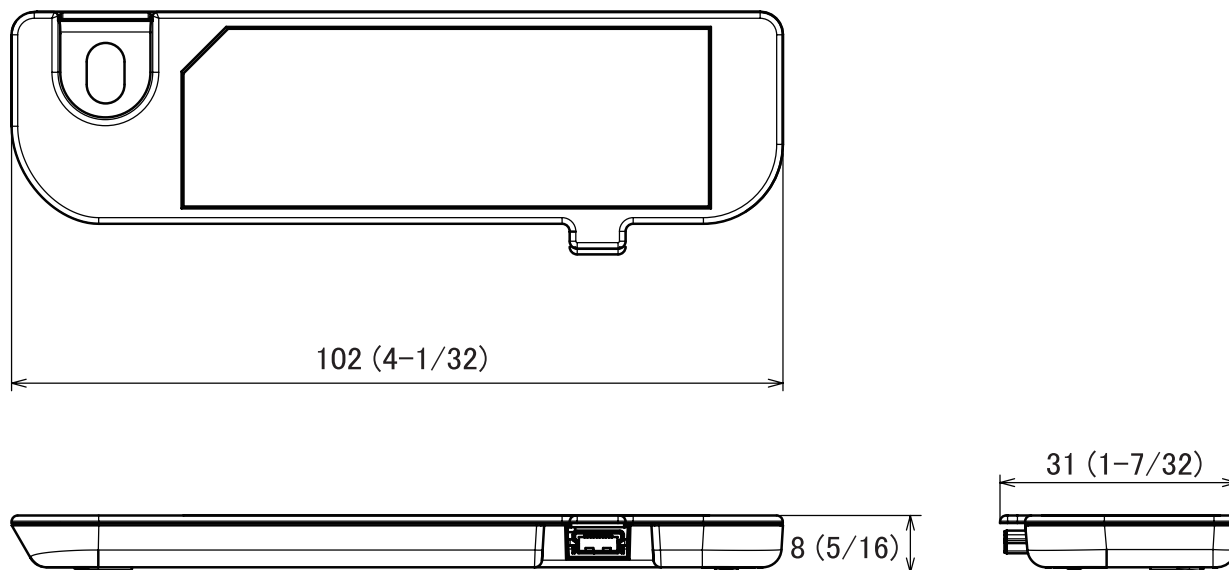
** Conforms to the environmental conditions of the mounted projector.

** Security to the conditions of the mounted projector.

** Frequency Range and Channel to the conditions of the mounted projector.

Dimensions

Unit : mm (inch)



Weights and dimensions shown are approximate. Specifications subject to change without notice.